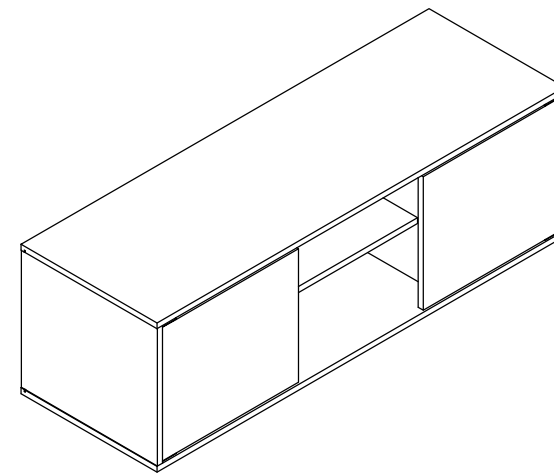
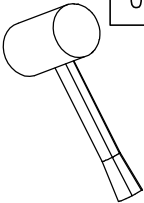


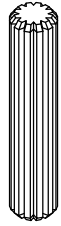

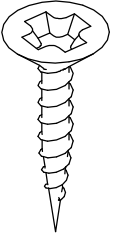

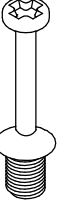
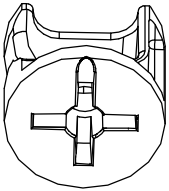
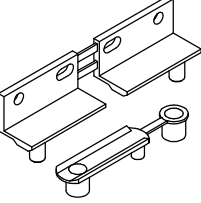
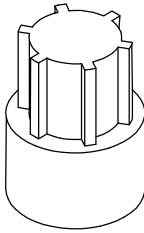
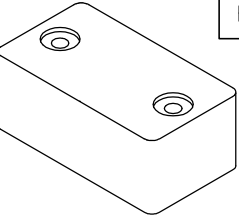
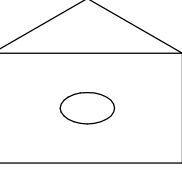


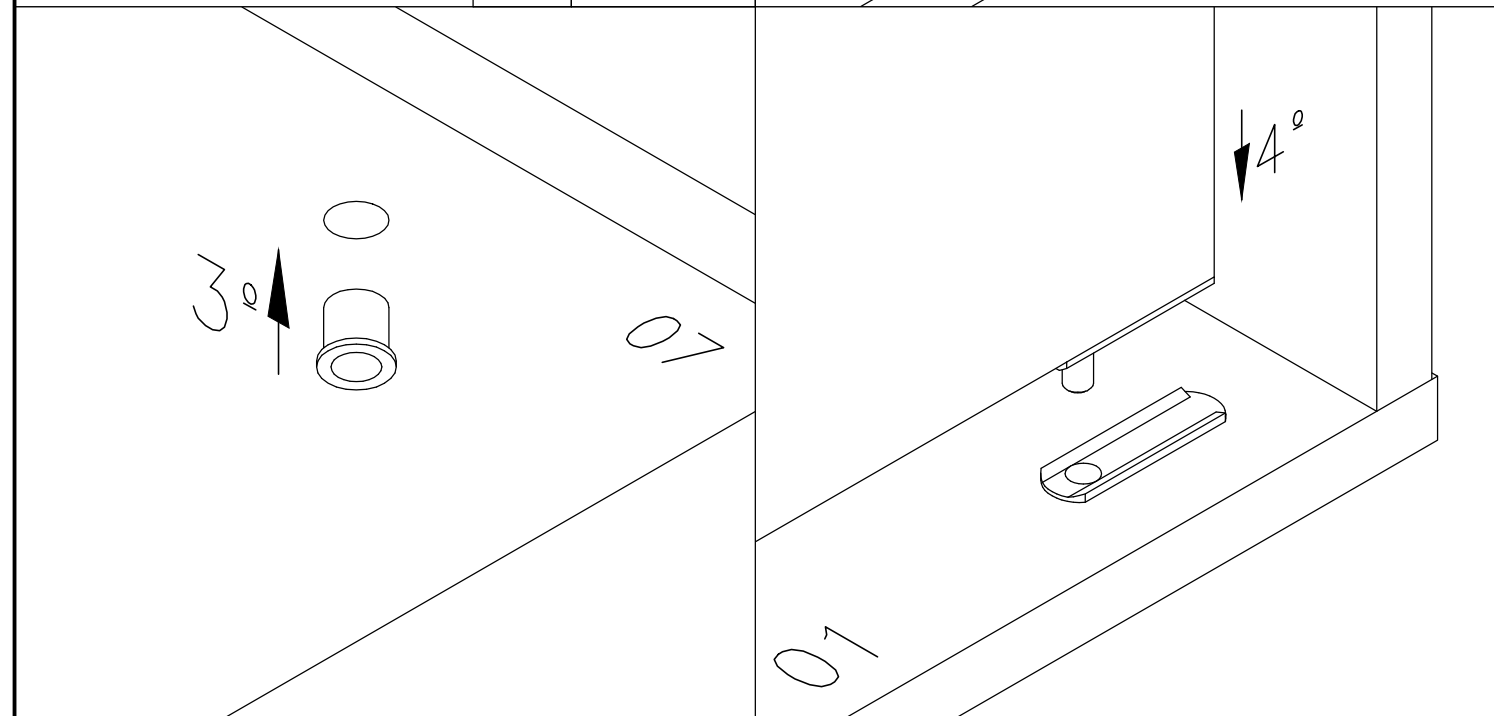
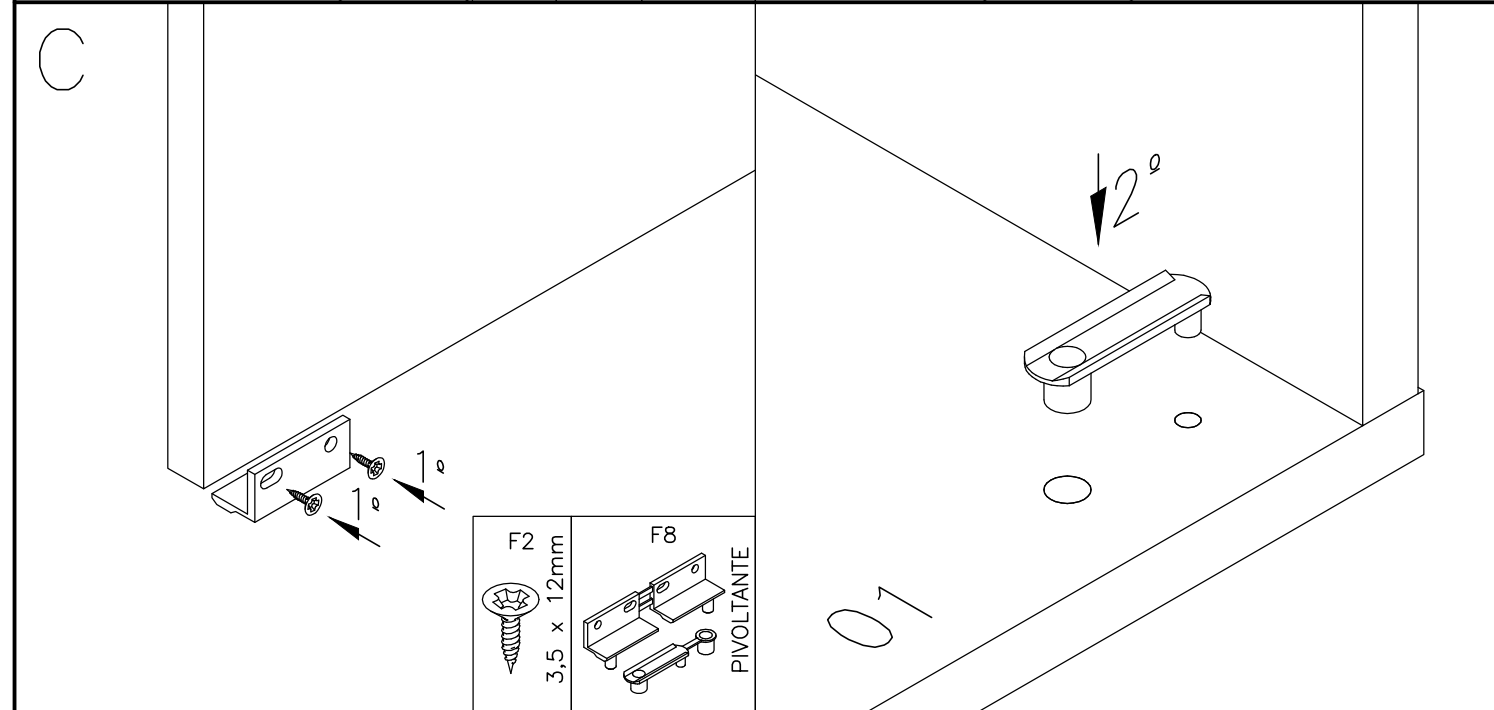
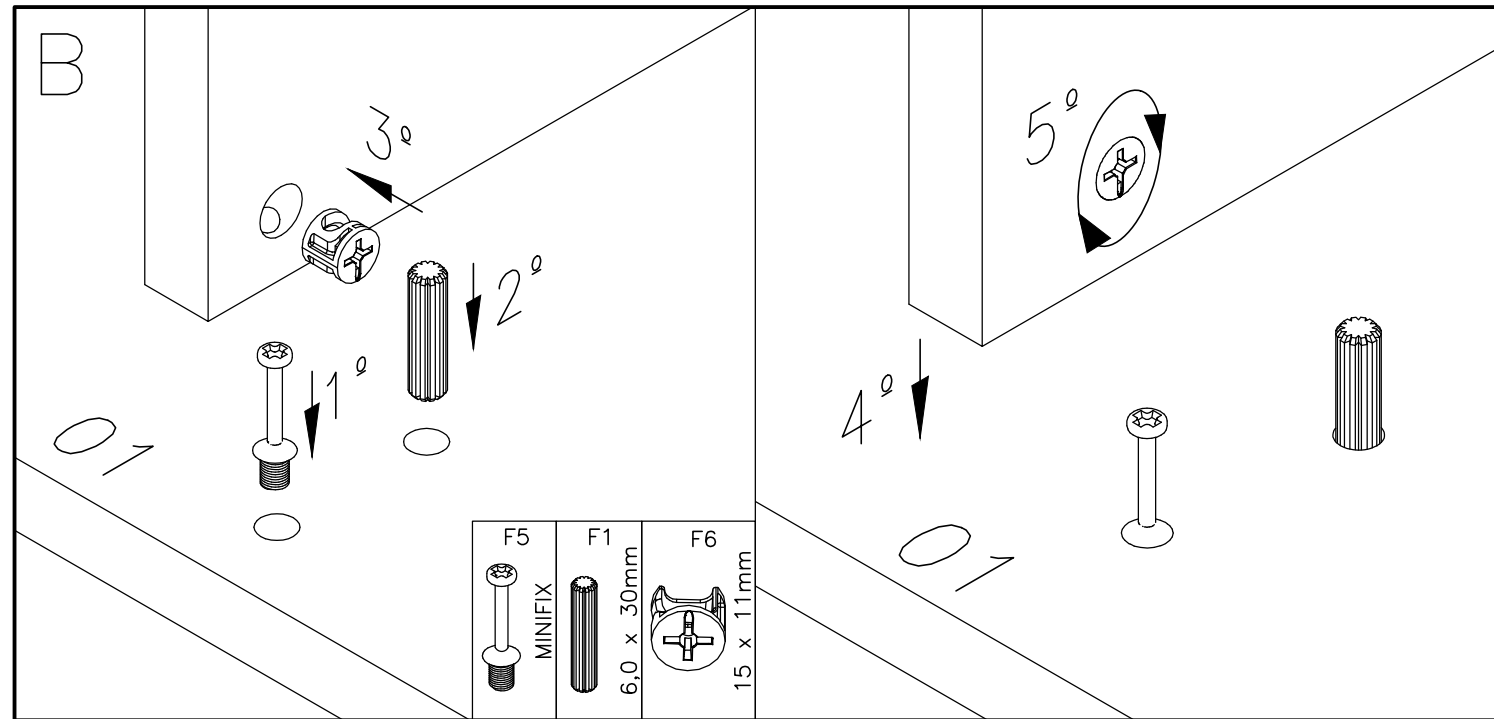
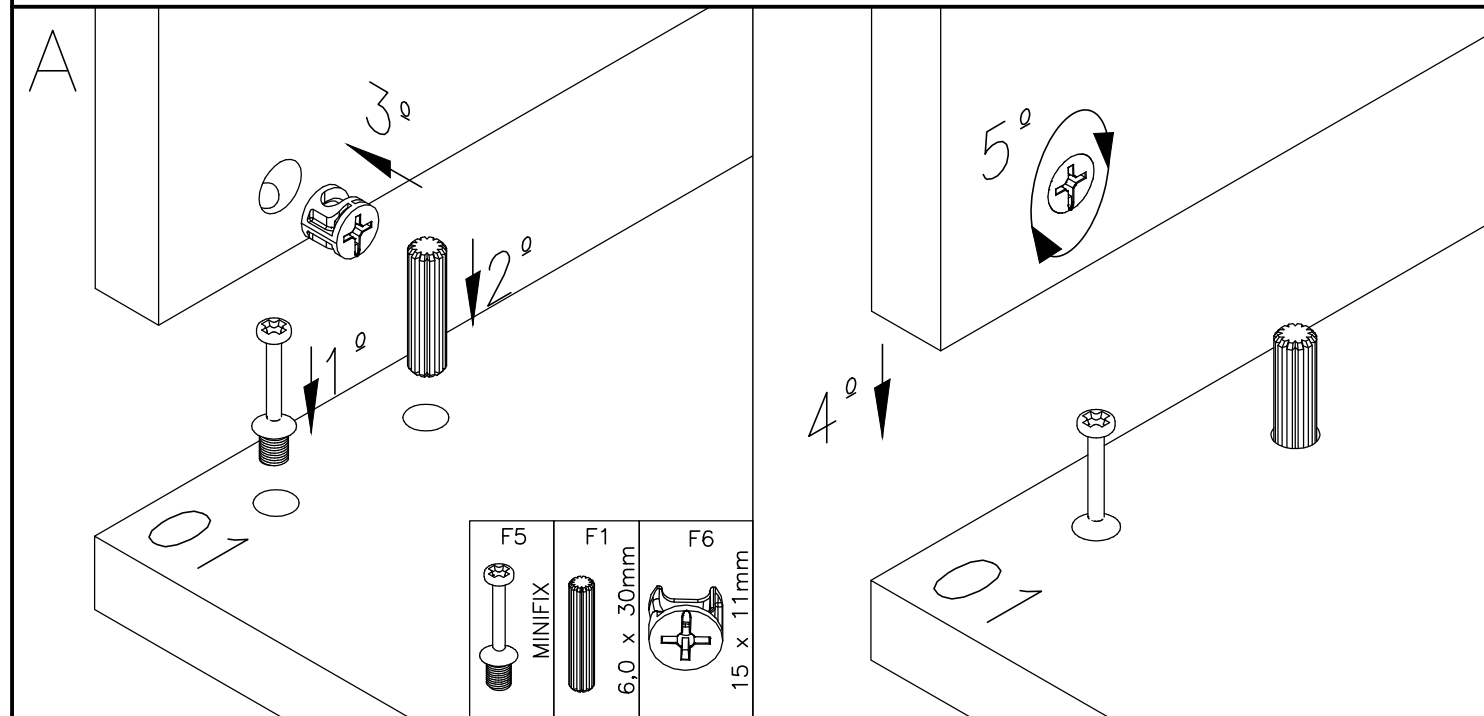
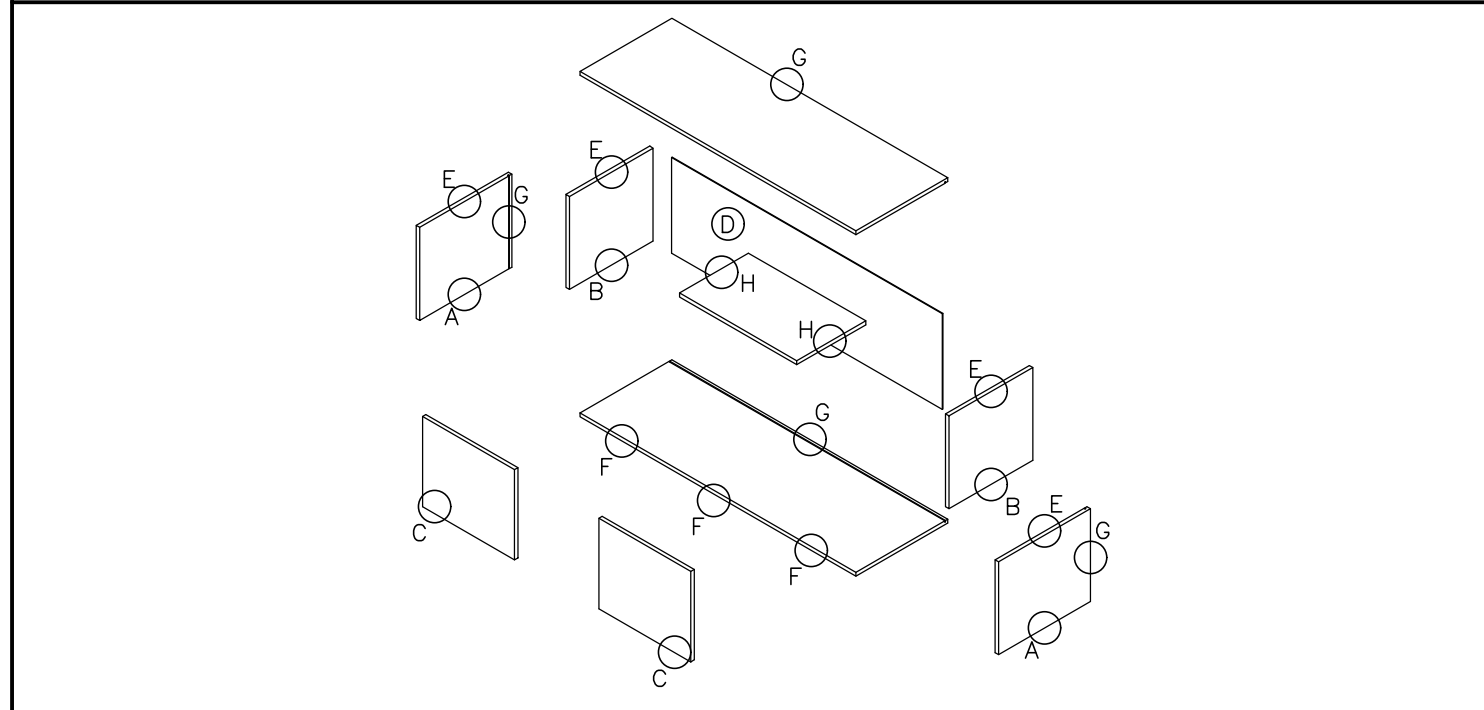
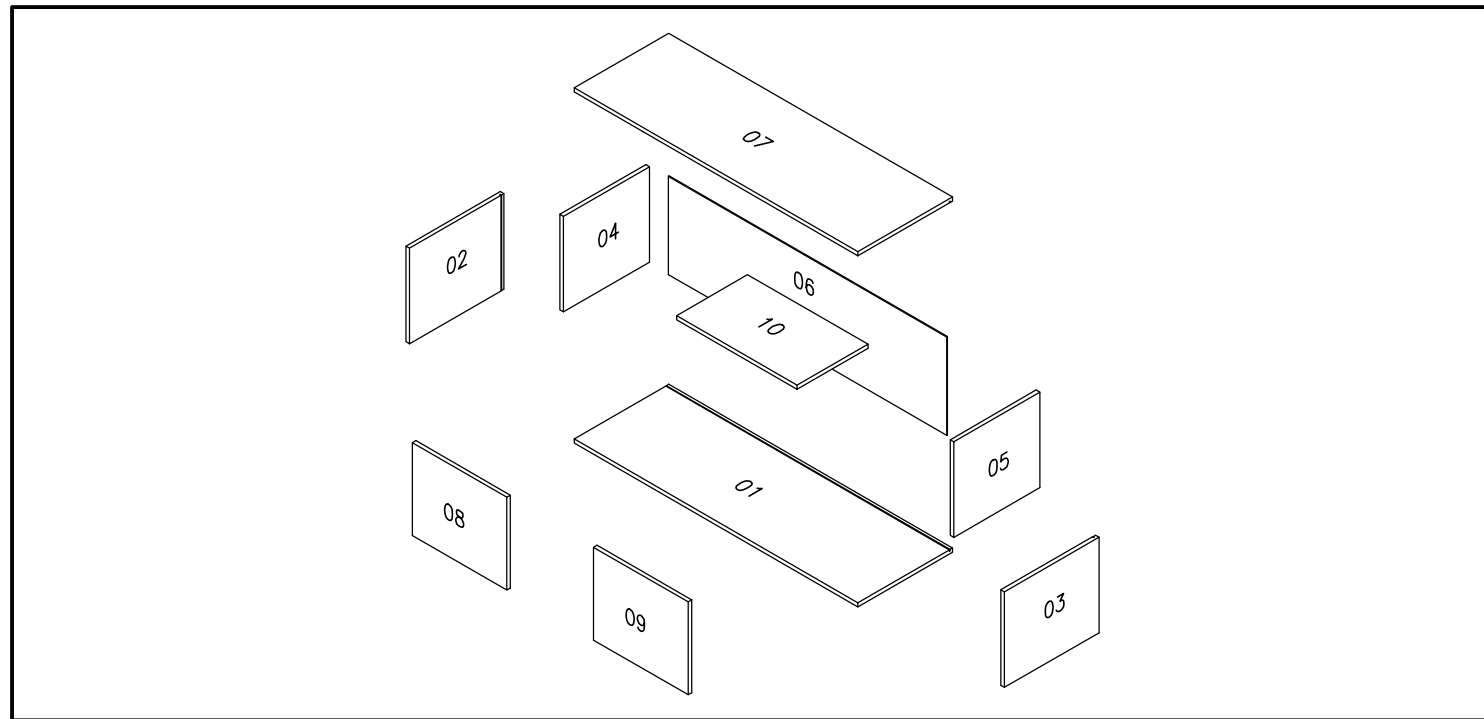
MoveNord

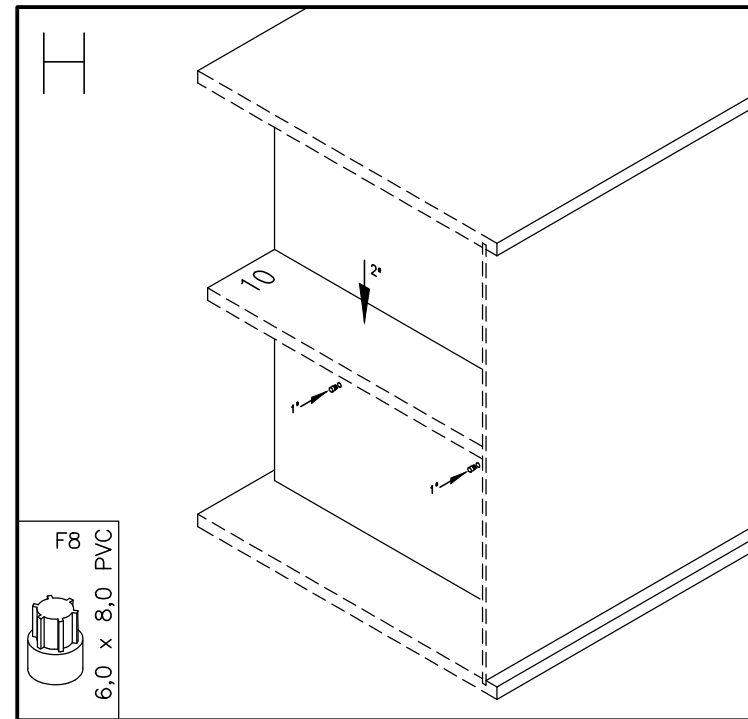
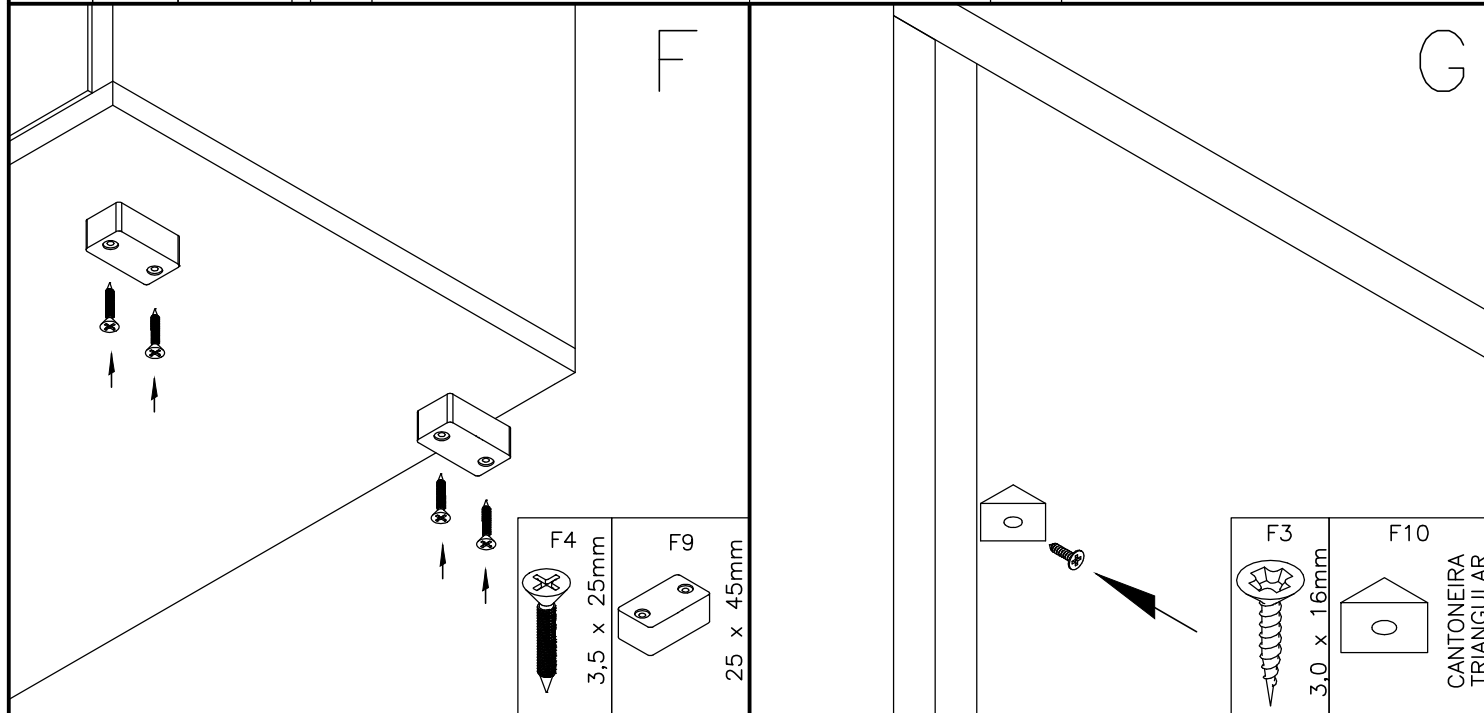
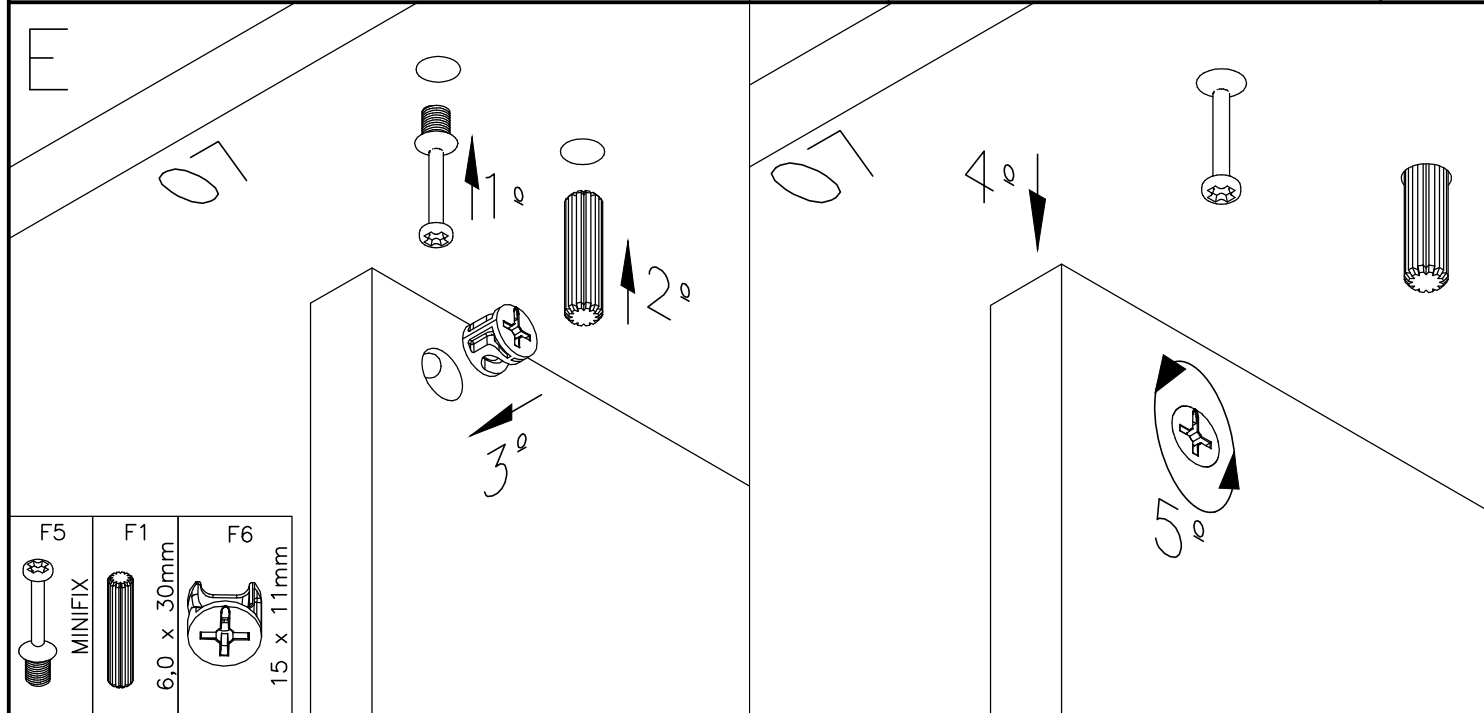
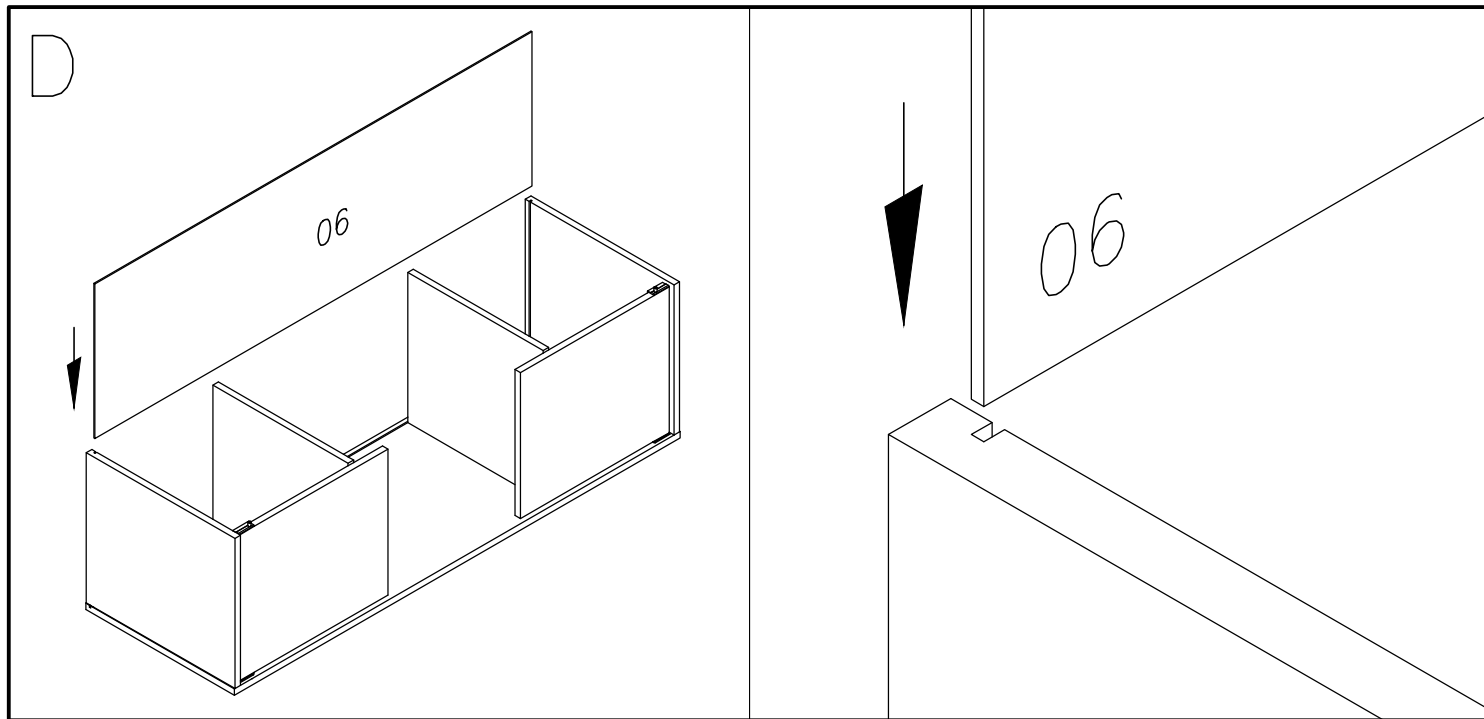


MÓVEL P/ TV
1200 x 400 x 400mm

REF.: 968.00070

| | | | | | | | | | |
|---|------------|---|------------|---|---------------|---|------------|---|-----------------------|
|  | 01 |  | 02 |  | 01 | | | | |
|  | 16 F1 |  | 08 F2 |  | 04 F3 |  | 12 F4 |  | 16 F5 |
| | 6,0 x 30mm | | 3,5 x 12mm | | 3,0 x 16mm | | 3,5 x 25mm | | MINIFIX |
|  | 16 F6 |  | 02 F7 |  | 04 F8 |  | 06 F9 |  | 04 F10 |
| | 15 x 11mm | | PIVOLTANTE | | 6,0 x 8,0 PVC | | 25 x 45mm | | CANTONEIRA TRIANGULAR |





| | | | | | |
|-------|-------------------|-------|------------------|-------|------------------|
| 01 x1 | | 02 x1 | | 04 x1 | |
| 07 x1 | 1200 x 400 x 15mm | 03 x1 | 350 x 400 x 15mm | 05 x1 | 364 x 350 x 15mm |
| 06 x1 | 1177 x 360 x 03mm | 08 x1 | 340 x 295 x 15mm | 10 x1 | 607 x 360 x 15mm |
| | | 09 x1 | | | |