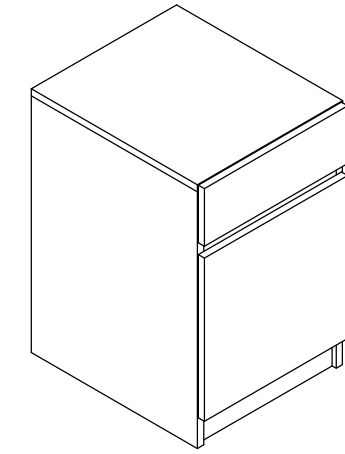
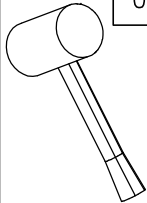


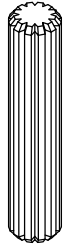

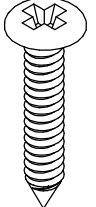
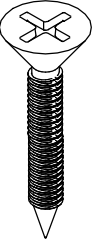
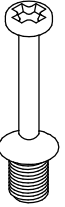
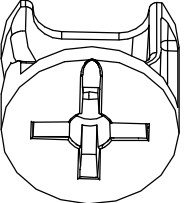
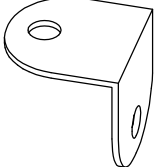
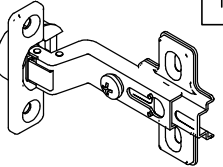
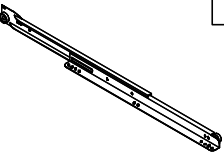
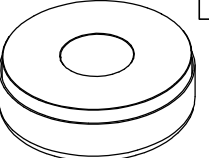


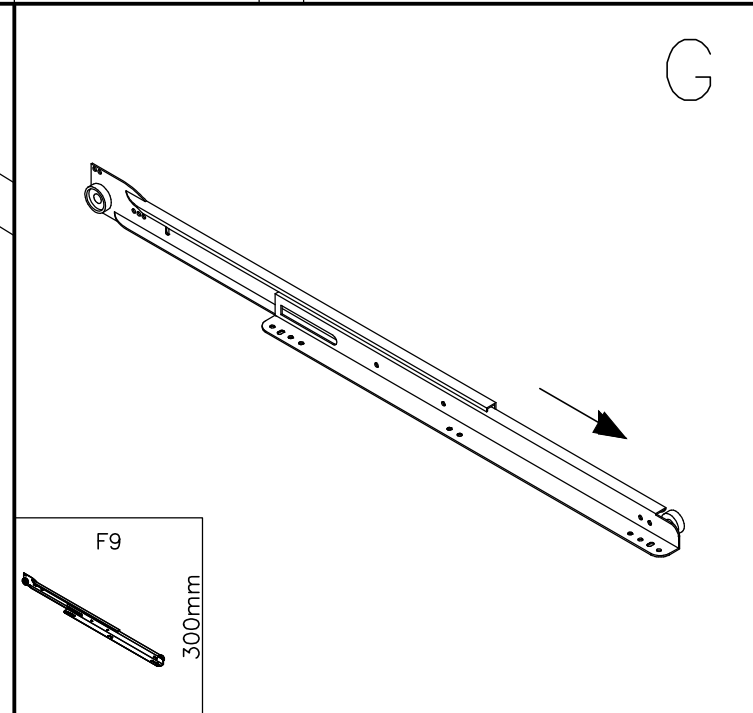
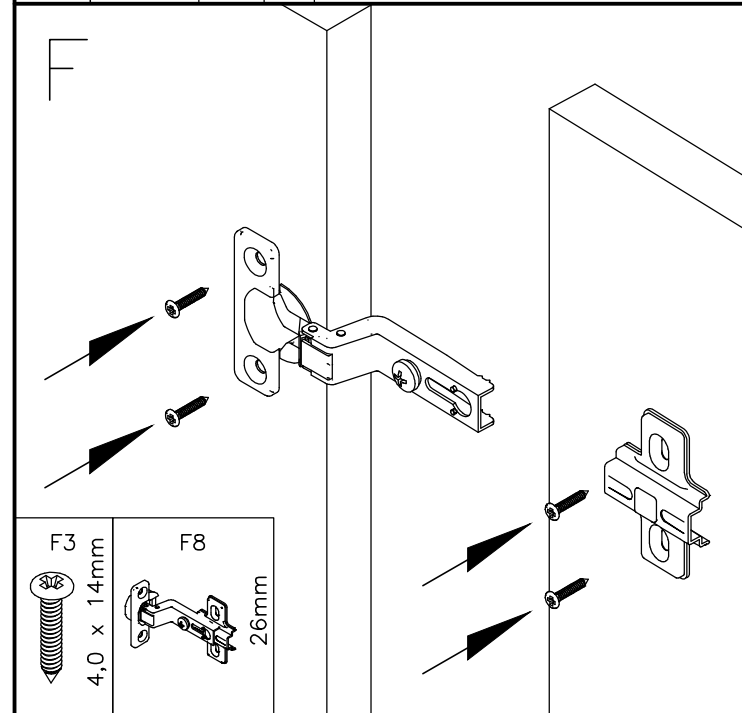
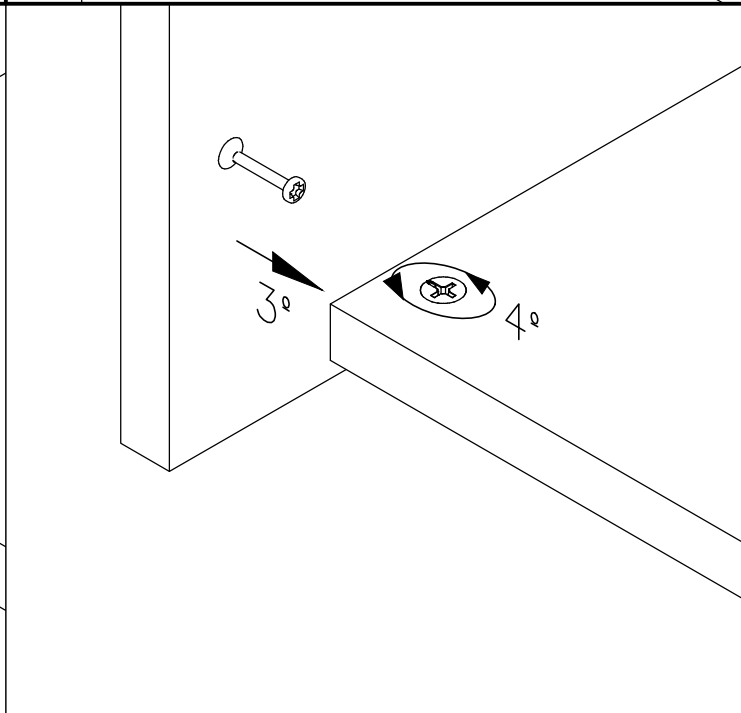
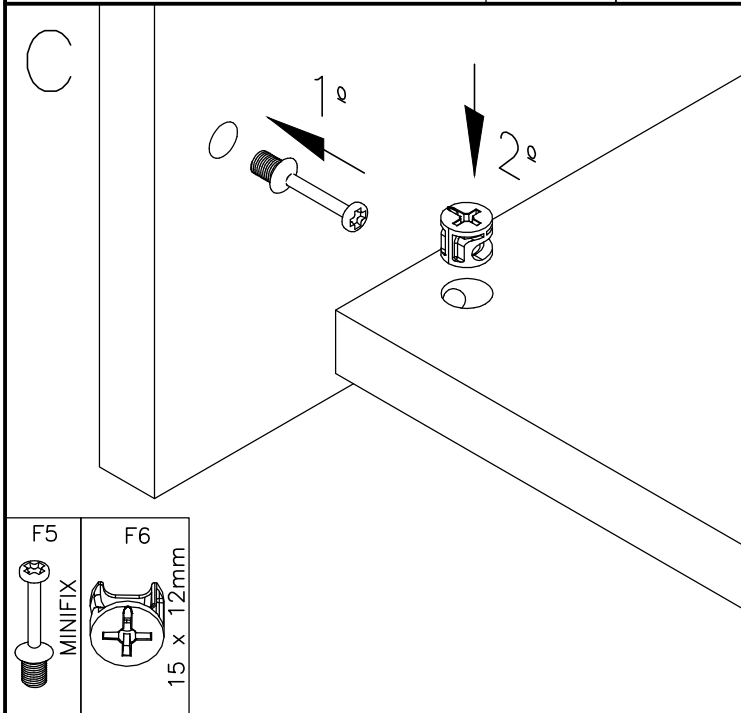
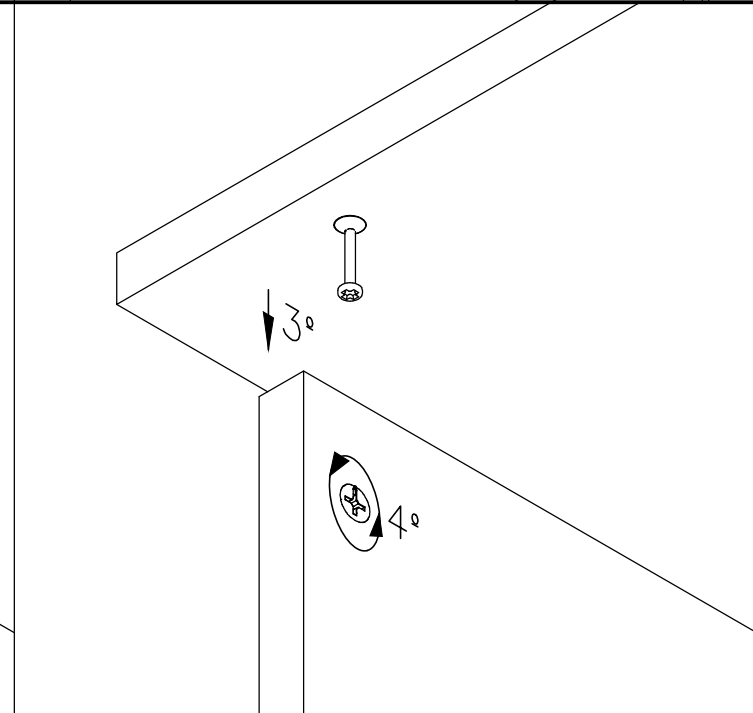
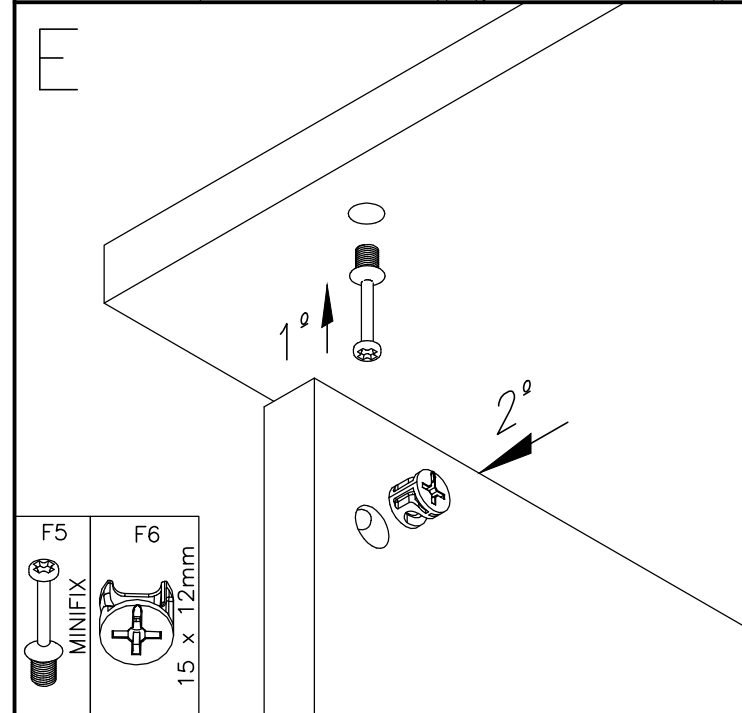
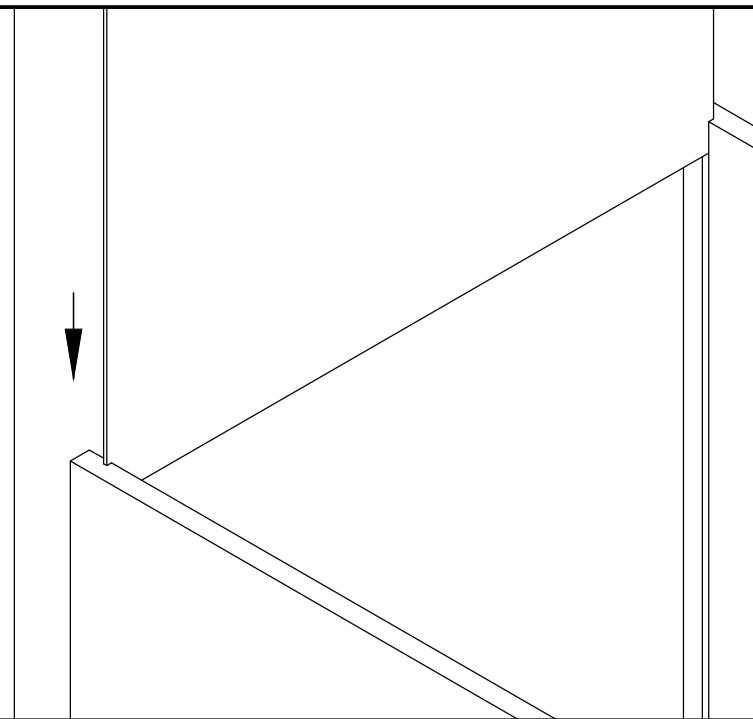
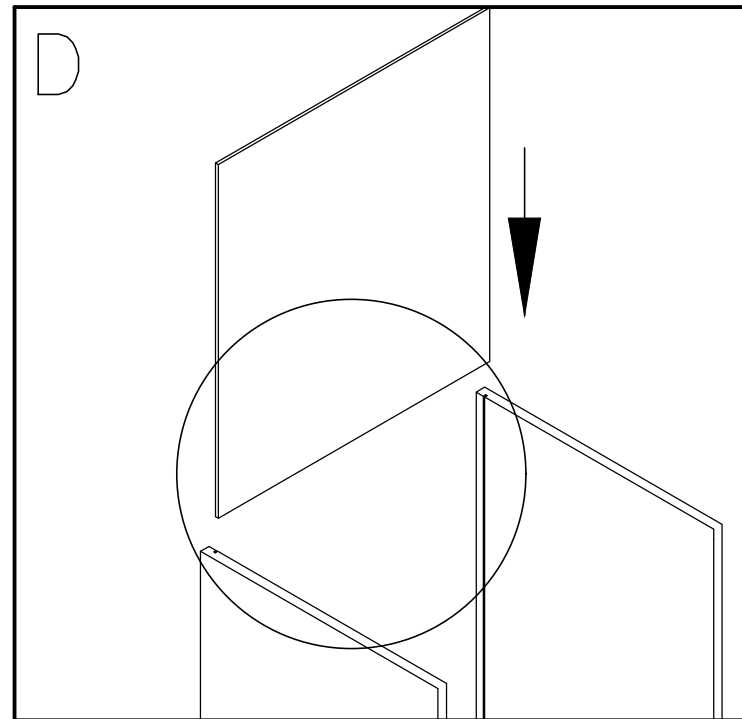
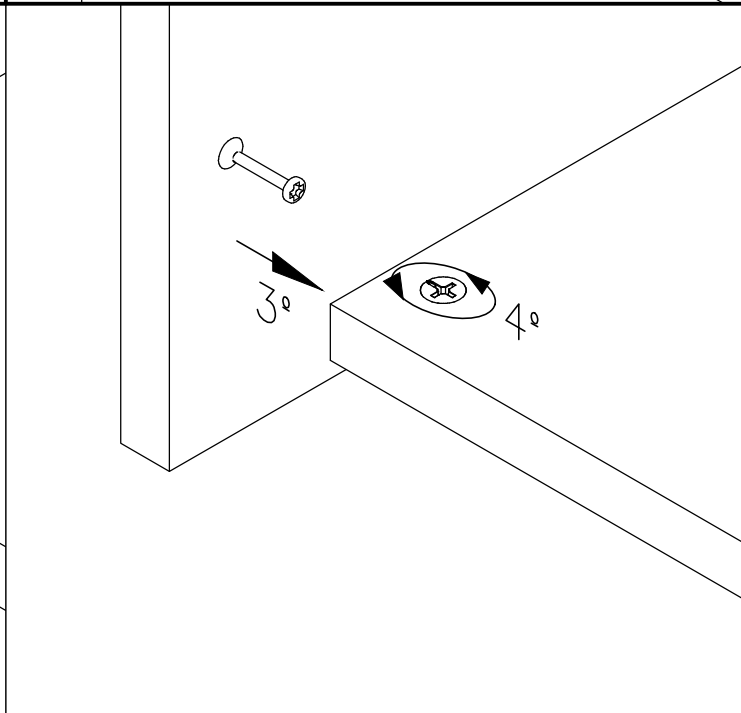
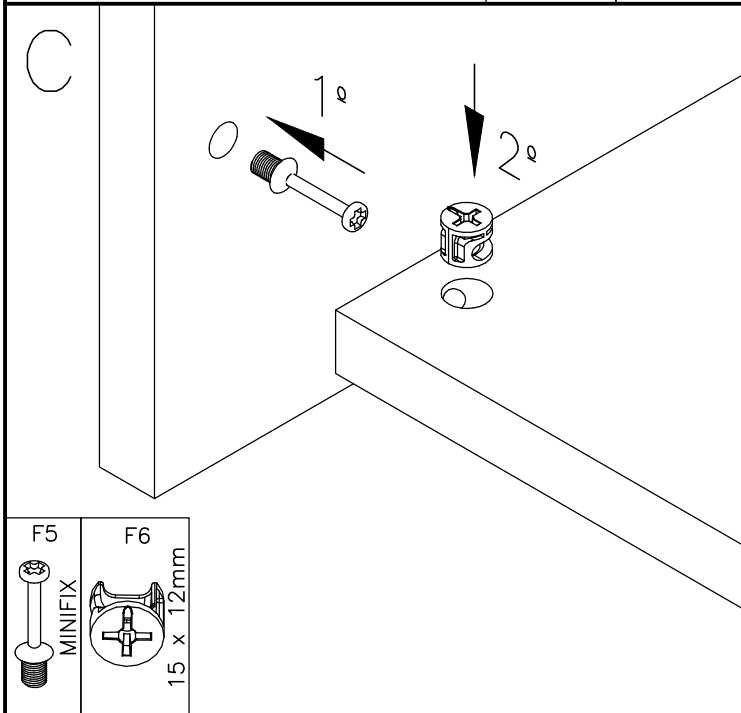
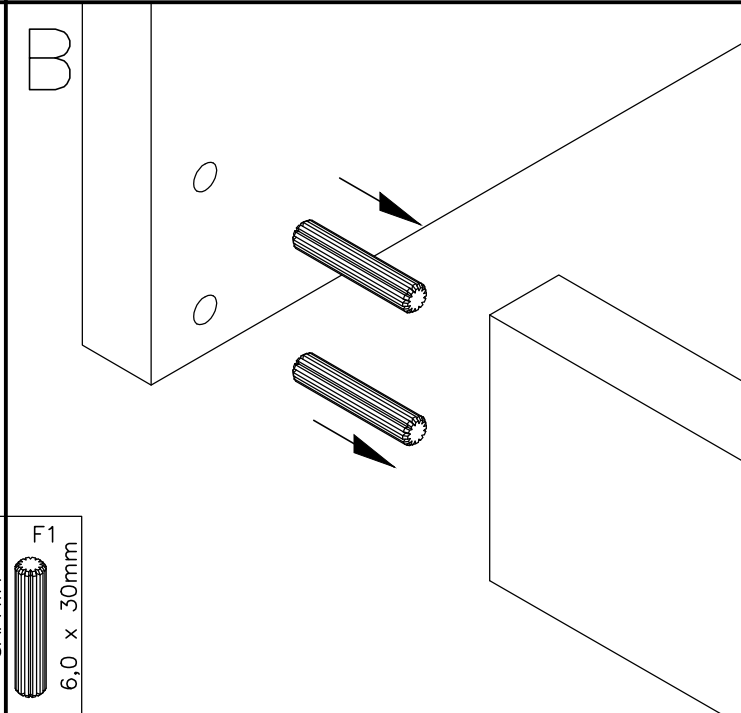
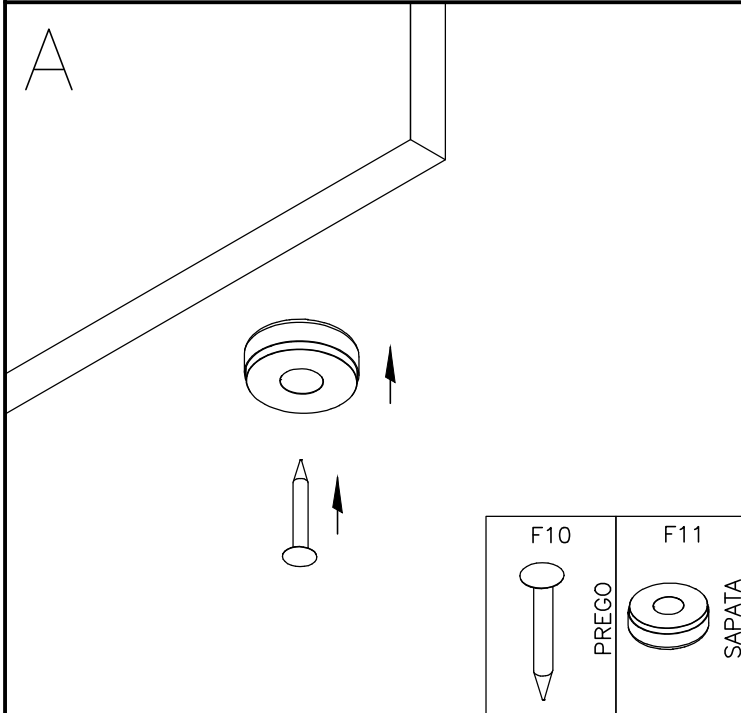
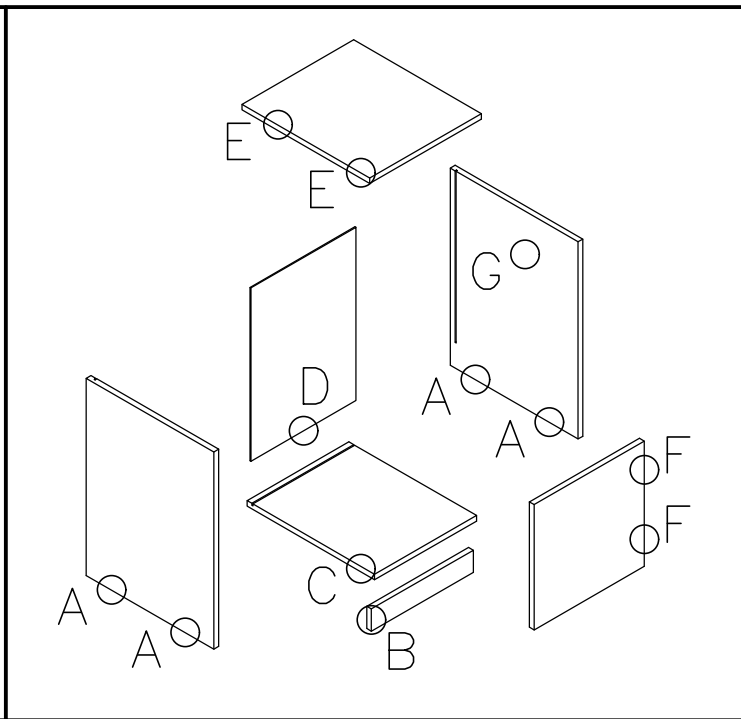
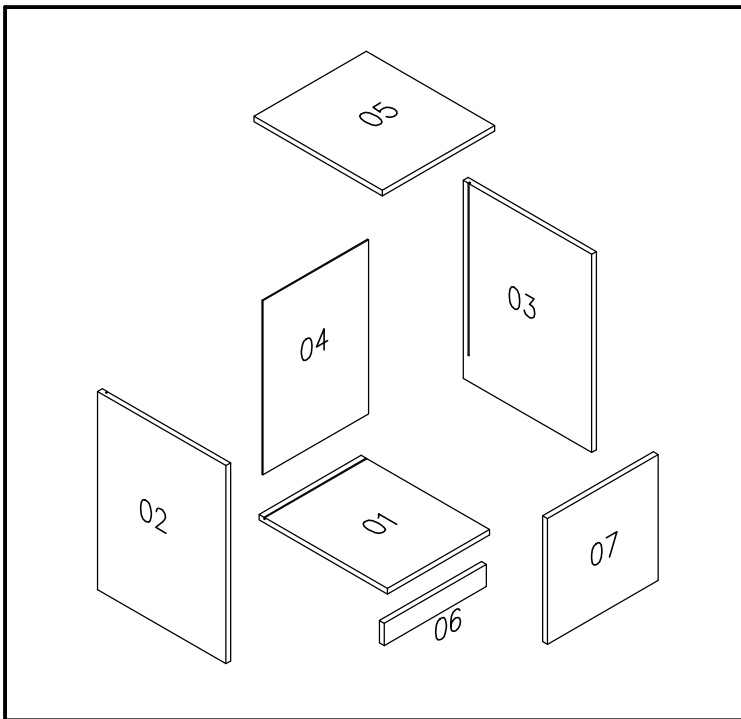
MoveNord

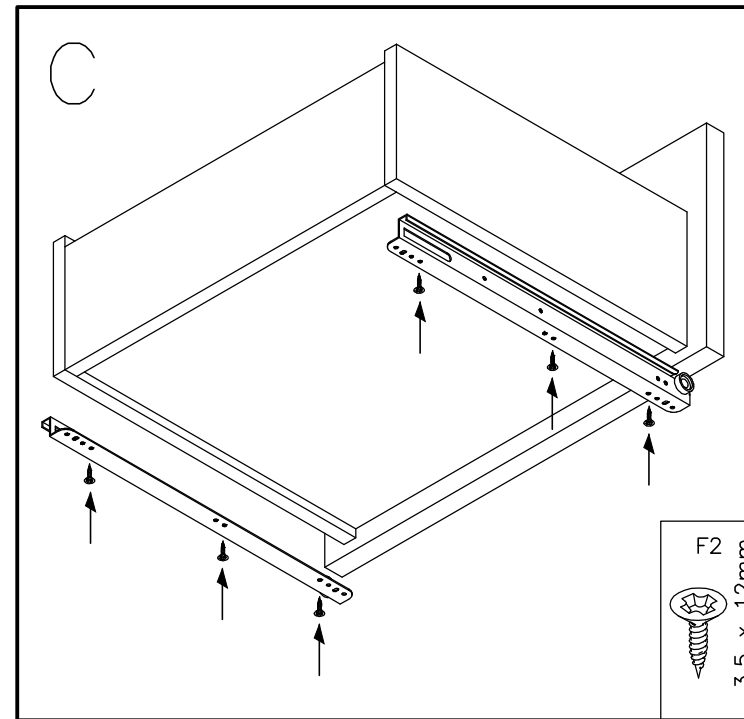
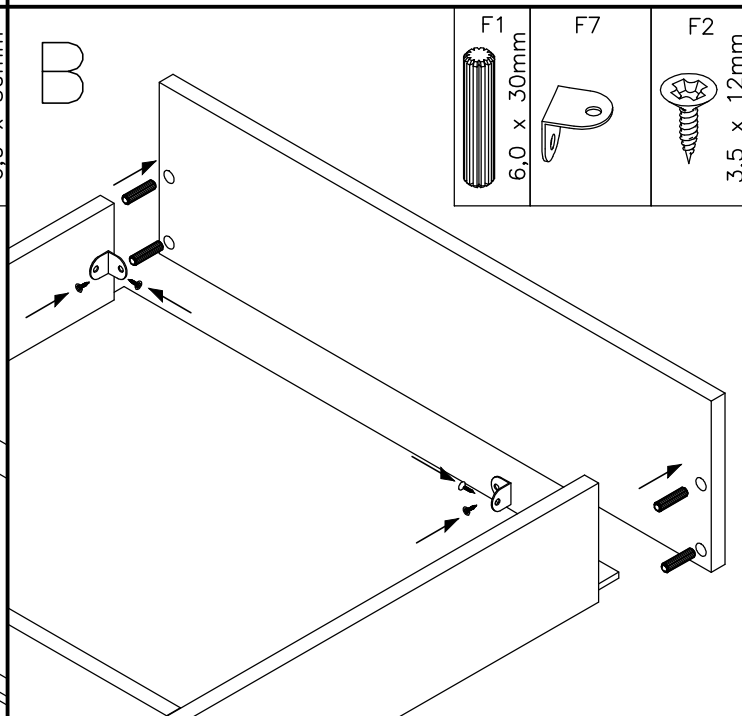
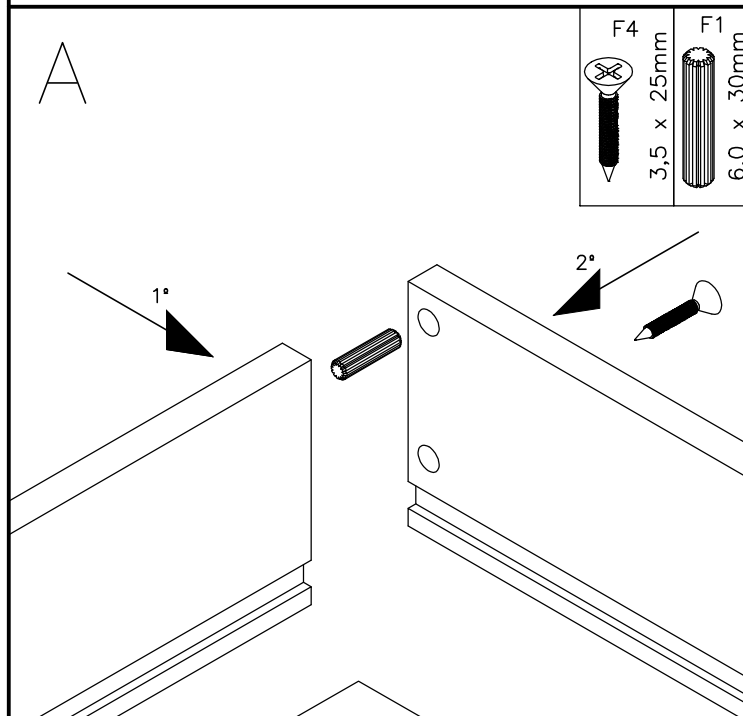
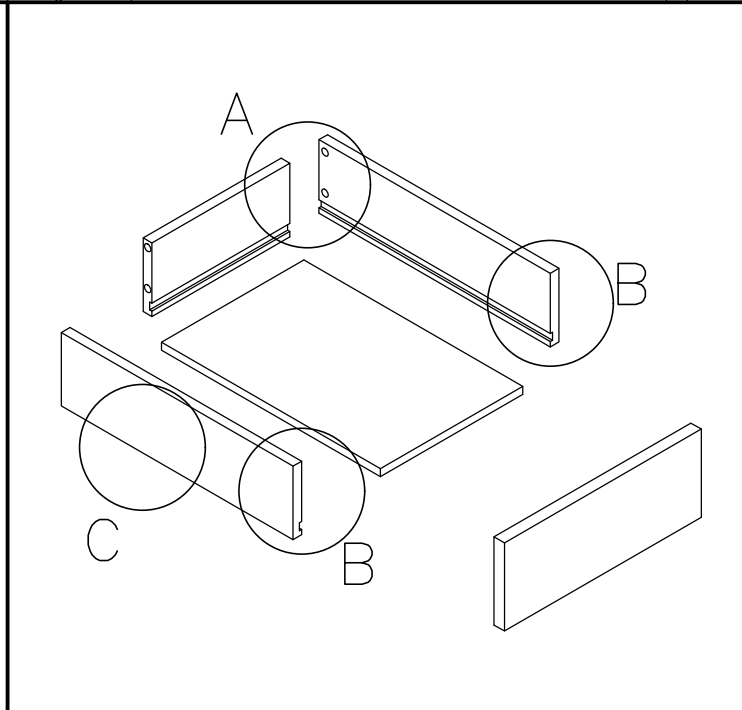
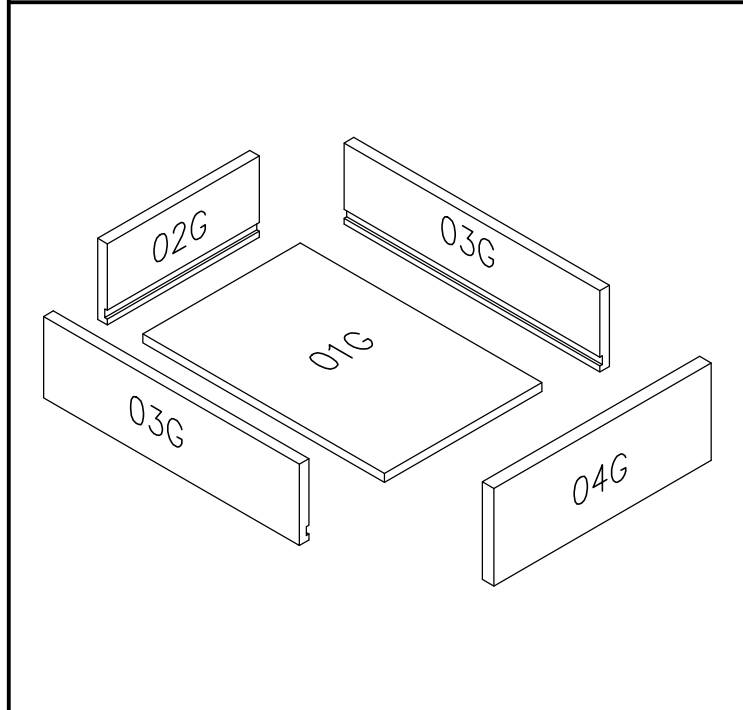
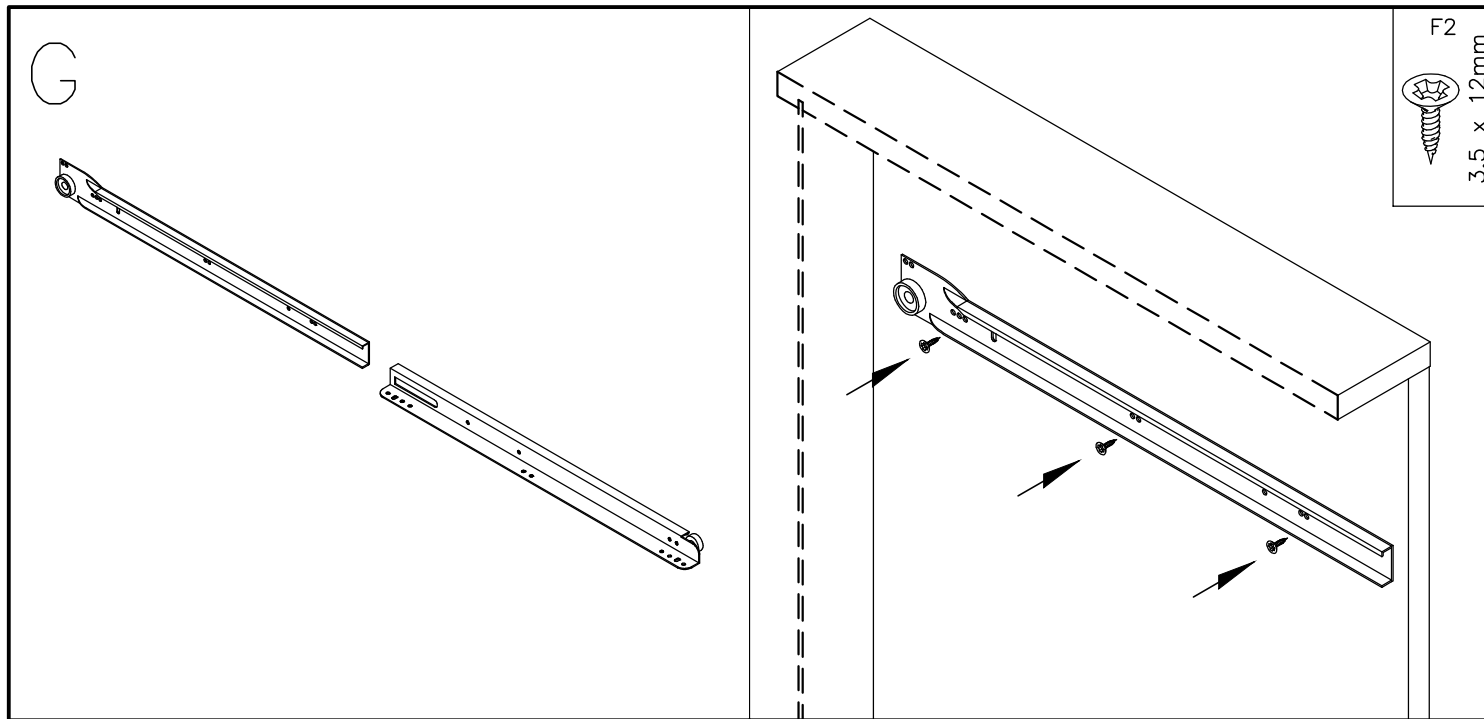


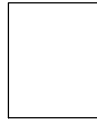
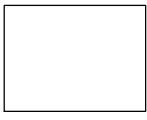


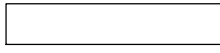
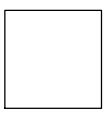

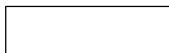


MÓDULO 1 GAVETA E 1 PORTA

REF.:
968.00025
968.00038
968.00040

	01		02		01							
	10 F1				16 F2		08 F3		02 F4		08 F5	
	6,0 x 30mm				3,5 x 12mm		4,0 x 14mm		3,5 x 25mm		MINIFIX	
	08 F6				02 F7		02 F8		01 F9		04 F10	
	15 x 11mm				26mm		300mm		1,0 x 15mm			
	04 F11											
	SAPATA											





01 x1		319 x 400 x 15	02 x1		535 x 400 x 15	04 x1		470 x 329 x 15
05 x1		350 x 400 x 15	06 x1		319 x 60 x 15	07 x1		340 x 335 x 15
01G x1		296 x 277 x 03	02G x1		268 x 80 x 12	03G x2		300 x 85 x 12
04G x2		120 x 335 x 15						